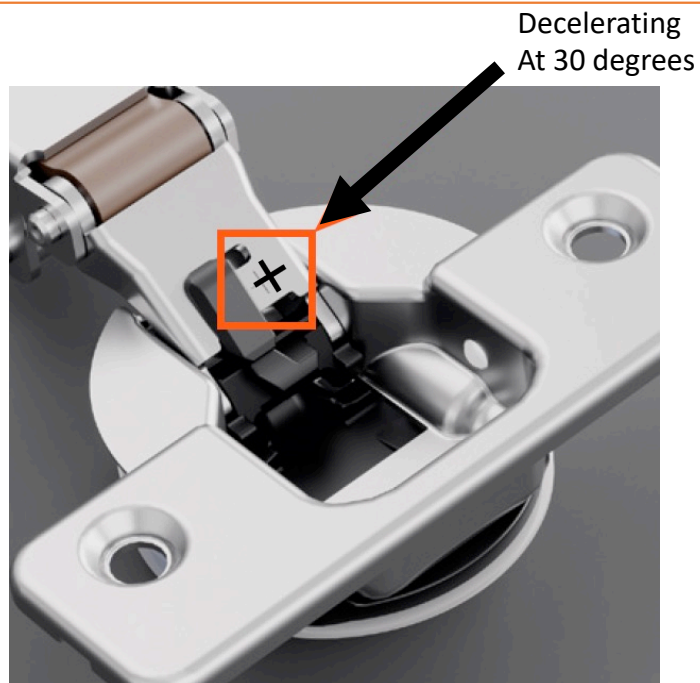


SILENTIA+ Full Overlay Concealed Hinges (内置可调节阻尼铰链)

Installation
video
安装视频



SALICE



Ever-optimal soft-close action

Silentia+ is also equipped with the innovative switch to delay the decelerating action. The activation of this switch allows, even to special doors, to obtain the ideal decelerating strength.



最理想的阻尼运行表现

Silentia+ 同时配备了创新式的阻尼行程调节开关。可根据实际情况，按需调节缓冲阻尼的作用角度。从而获得最理想的阻尼效果，即使特殊的门板形式。



SILENTIA+ Full Overlay Concealed Hinges (内置可调节阻尼铰链)

Installation
video
安装视频



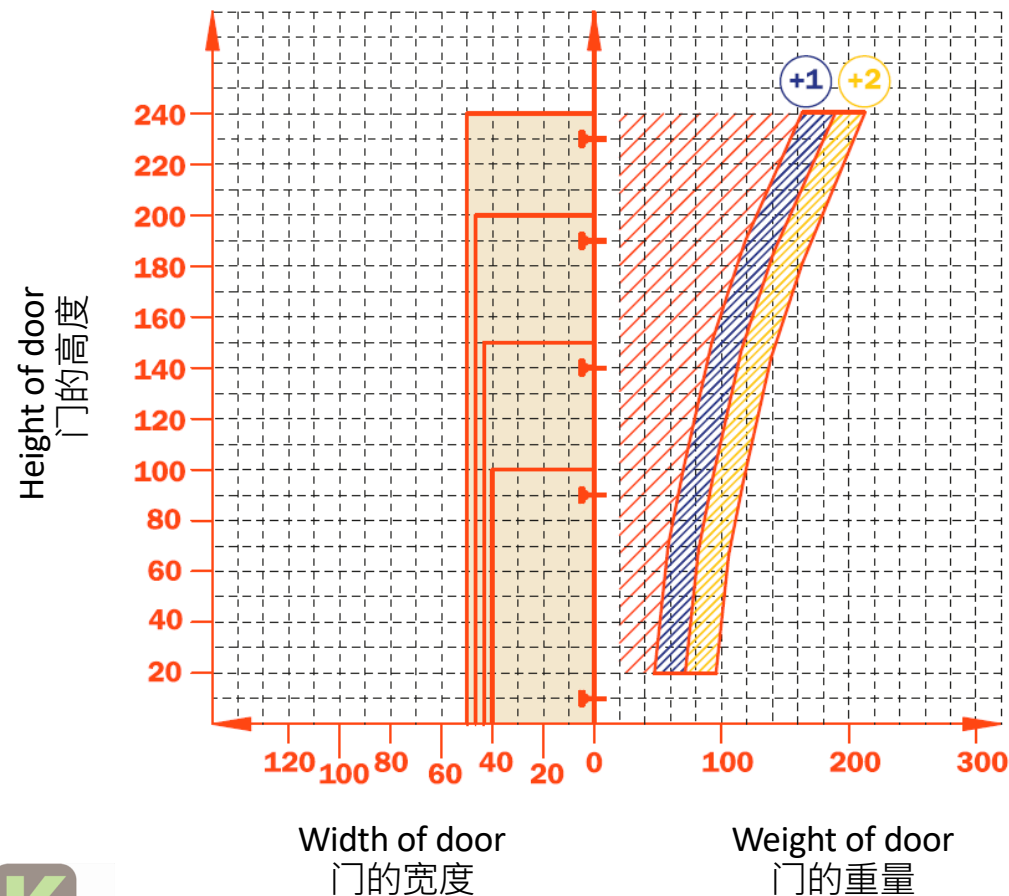
SALICE

Adjustments

- Compensated side adjustment from -1.5 mm to +4.5 mm.
- Height adjustment ± 2 mm.
- Depth adjustment with Domi snap-on mounting plates from -0.5 mm to +2.8 mm.
- Anti-sliding safety stop.

调节

- 铰链底座
- 侧向调节: -1.5/+4.5 mm
- 高度调节: ± 2 mm
- 深度调节: Domi 快装底座: -0.5/+2.8 mm
- 具有防意外脱落锁扣。



SILENTIA+ Full Overlay Concealed Hinges (内置可调节阻尼铰链)

Installation
video
安装视频

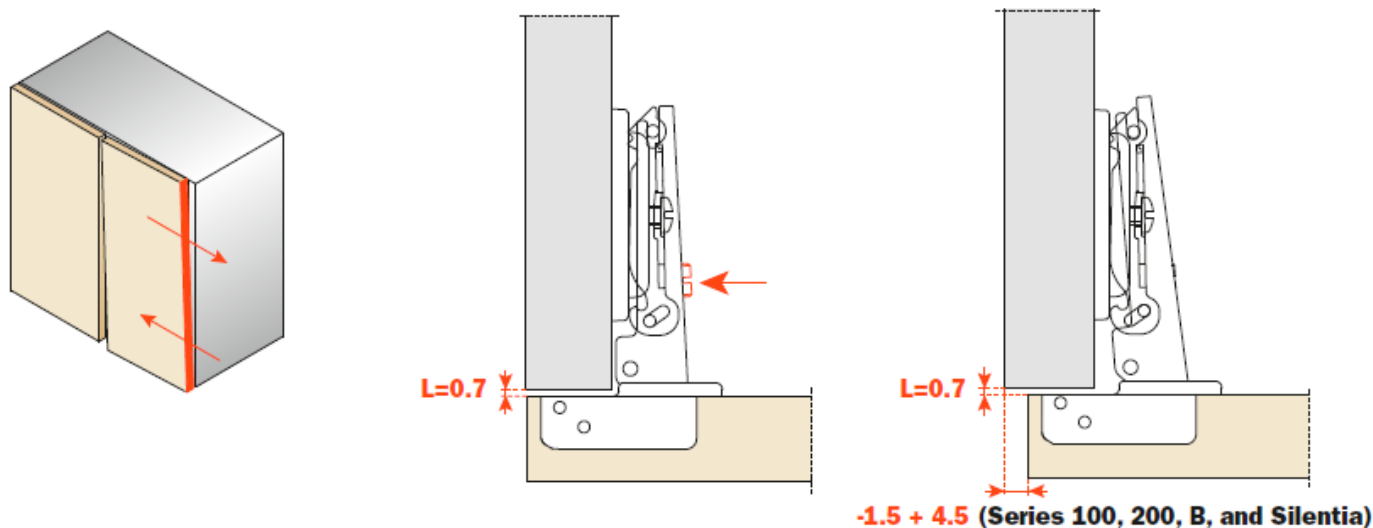


SALICE

Sideways adjustment of the door (阻尼铰链侧向调整)

A specially developed technical solution allows the sideways adjustment of the door while maintaining the gap behind the door ("L" value of 0.7mm). The adjustment screw operates in conjunction with the inner leaf of the hinge arm. The door moves in only one direction, parallel to the carcass and without a gap developing between the door and the carcass. No further adjustments are necessary.

独有的技术使得侧向调整时，门缝始终不变（“L”值为0.7毫米）。调整螺丝运行在铰臂内侧衬页上，门只朝一个方向移动-平行于柜体，这样没有门缝的变化。不需要进一步的修正。



K
KITCH

SILENTIA+ Full Overlay Concealed Hinges (内置可调节阻尼铰链)



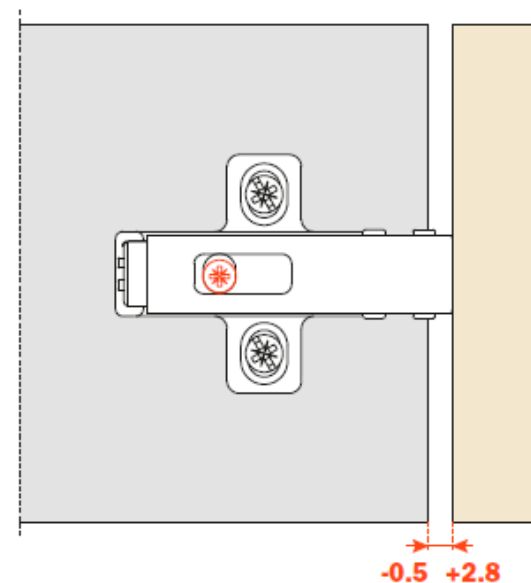
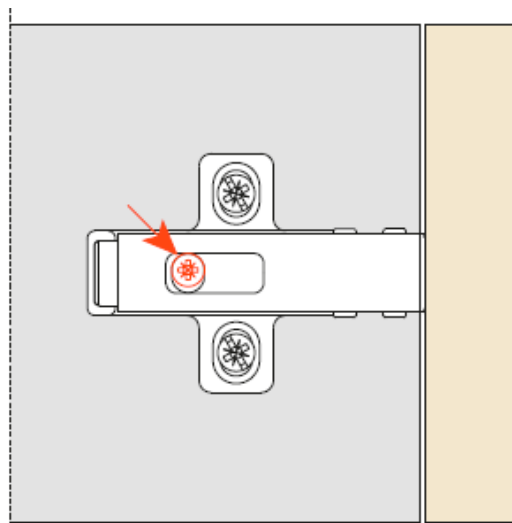
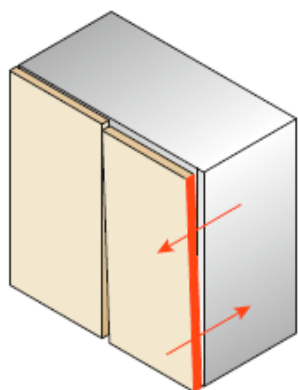
SALICE

Depth adjustment with Domi snap-on mounting plates – Model BAV

Depth adjustment is made with loosening any screws. The door can be moved frontally from -0.5mm to +2.8mm simply by rotating the cam adjuster in this range of mounting plates.

Domi快装底座调节-型号BAV

深度调节无需松开螺丝，调节偏心轮可以将门往前调节到-0.5毫米至+2.8毫米



SILENTIA+ Full Overlay Concealed Hinges (内置可调节阻尼铰链)



SALICE

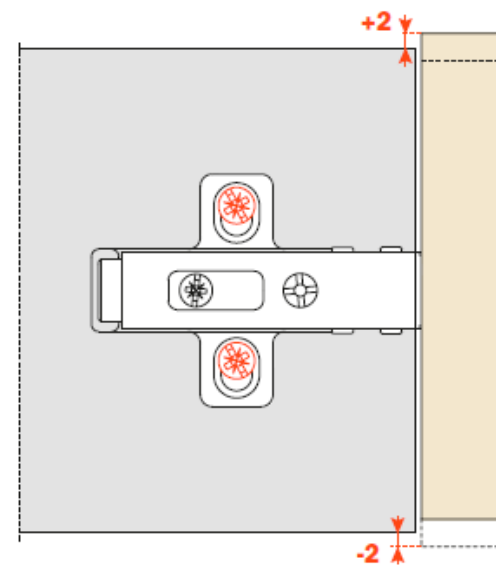
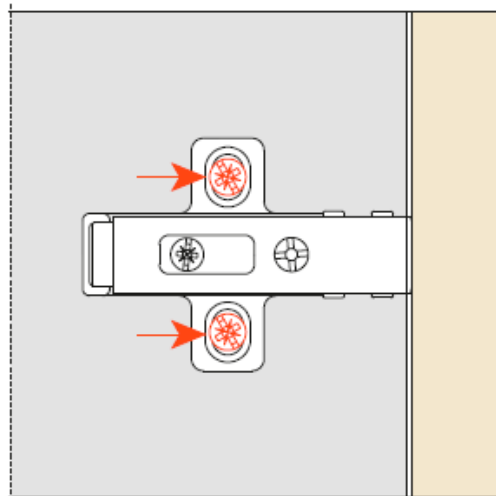
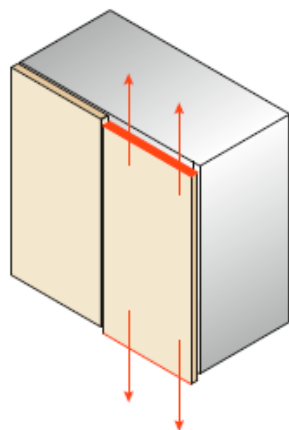
Depth adjustment with Domi snap-on mounting plates –

Model BAV/Series 200

By loosening the 2 fixing screws, it is possible to adjust the door vertically by +/-2mm. The oval holes allow the mounting plate to slide freely in both directions. Finally the screws just be retightened.

Domi快装底座调节-型号BAV/200系列

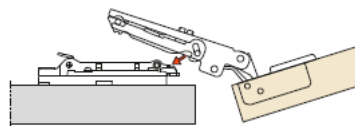
通过松开2个固定螺丝可以调节+/-2毫米。椭圆孔允许上下自由的移动，最后螺丝需要重新拧紧





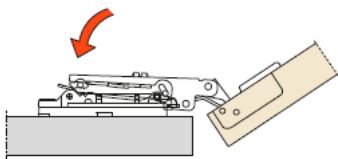
Assembly with Domi snap-on mounting plates (Domi 快装底座安装)

Locate the lugs on the mounting plate into the recesses beneath the arm.



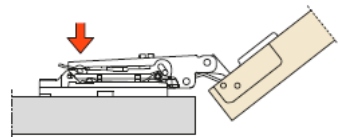
将底座前舌卡入铰臂底部锁扣处

Gently rotate the door in the direction shown.



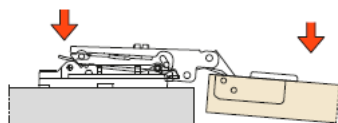
如图示方向旋转门

Then press lightly on the end of the arm to secure the catch.



轻压铰臂至底座锁紧

To remove the hinge from the mounting plate, press gently in the places shown by the arrows.



如图示方向按压铰臂尾部，将铰链拆卸