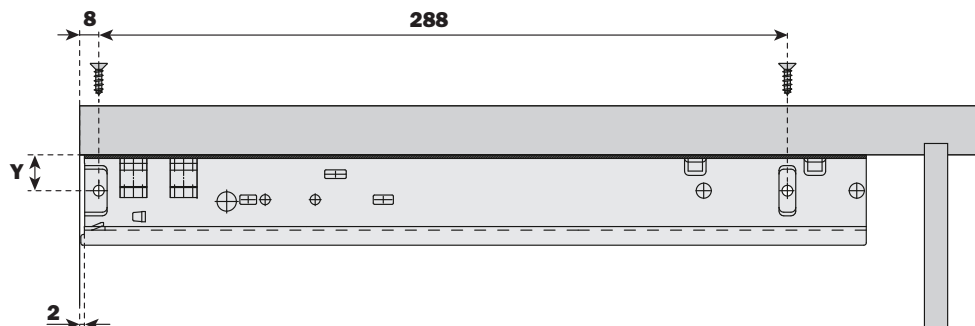


# SHELF (拉出层板滑轨, 带开启定位功能) - ASSEMBLY (安装指南) **SALICE**

## Fixing 固定

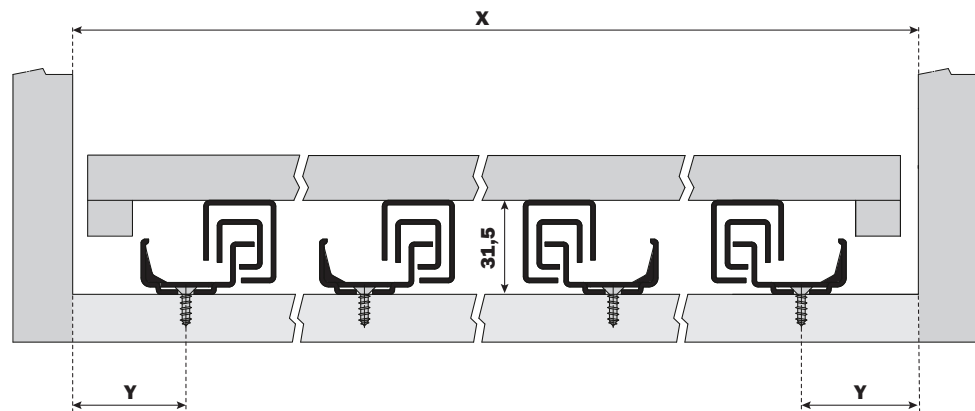
正面截图 - 全拉出  
Plan view - Full-extension

350 - 600



Y = Min. 15 mm

对于非常大的层板, 有可能增加滑轨数量, 以提高负载和稳定性。  
With very large shelves, it is possible to increase the number of runners, in order to improve the load capacity and the stability of the shelf.

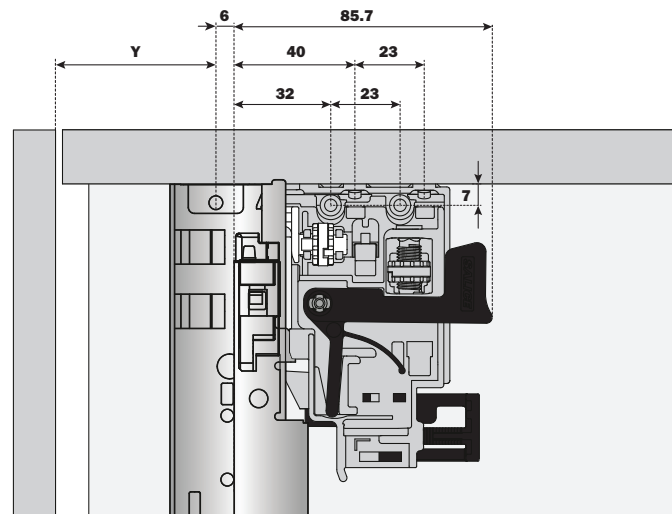


Y = Min. 15 mm

3 维调节连接件  
Shelf - 3 way adjustable clip

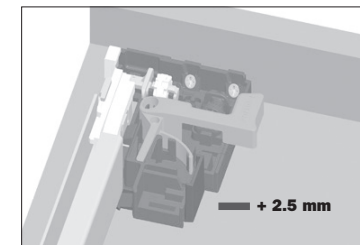
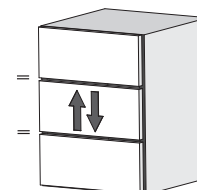
Clip 连接件安装  
Clip fixing

Y = Min. 15 mm

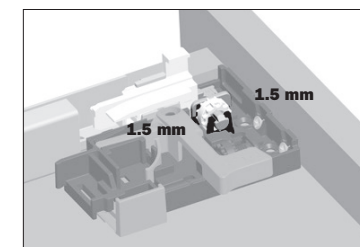
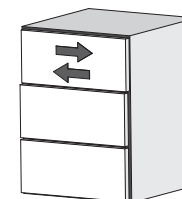


层板调节  
Shelf adjustment

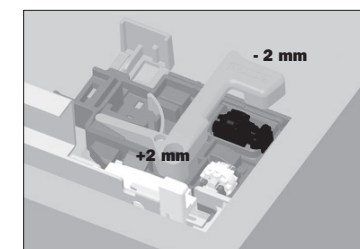
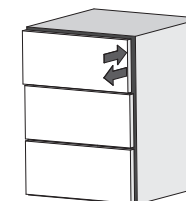
Height adjustment  
+ 2.5 mm  
高度调节  
+ 2.5 毫米



Sideways adjustment  
+ 1.5 mm - 1.5 mm  
侧向调节  
+ 1.5 毫米 - 1.5 毫米



Depth adjustment  
+ 2 mm - 2 mm  
深度调节  
+ 2 毫米 - 2 毫米



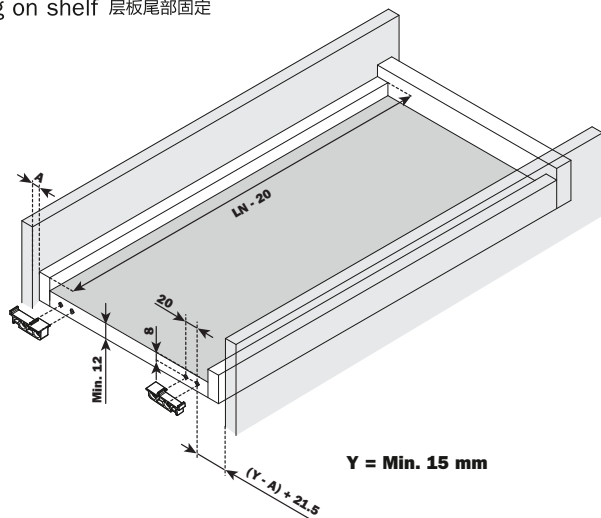
# SHELF (拉出层板滑轨, 带开启定位功能) - ASSEMBLY (安装指南) **SALICE**

## Shelf - Fixing of the support for the rear hook 层板尾部连接

层板最小厚度为 12 毫米的安装

Fixing on the pull-out shelf with a minimum thickness of 12 mm

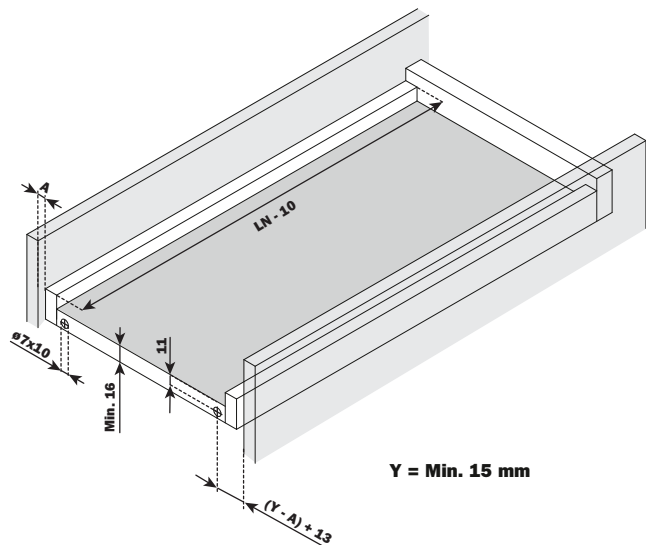
Rear fixing on shelf 层板尾部固定



层板最小厚度为 16 毫米的安装

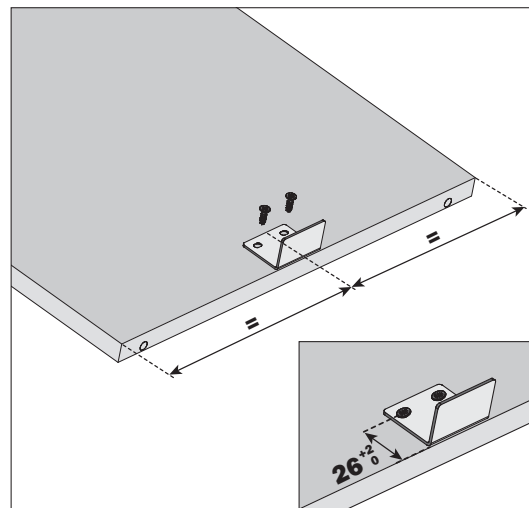
Fixing on the pull-out shelf with a minimum thickness of 16 mm

Rear fixing on shelf 层板尾部固定

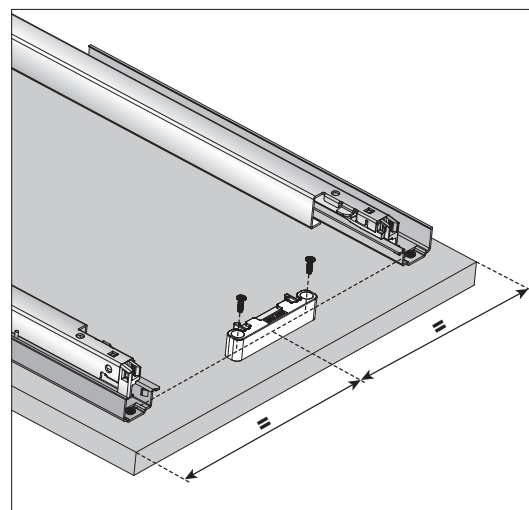


## Assembly instructions 安装说明

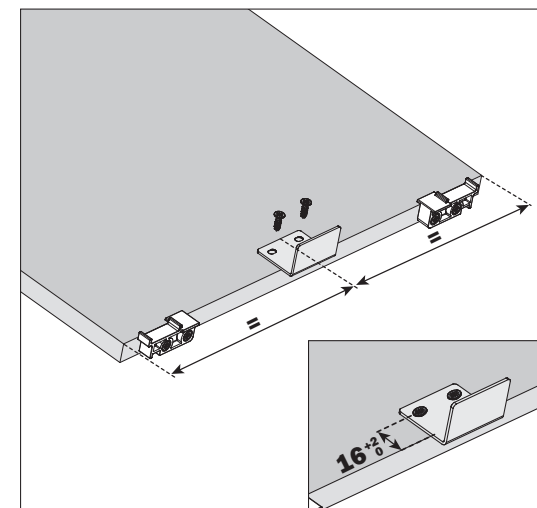
1 A) Fixing the bracket, aligned with the back of the shelf.  
层板尾部未安装后连接件: 固定支架, 使其与层板尾部对齐



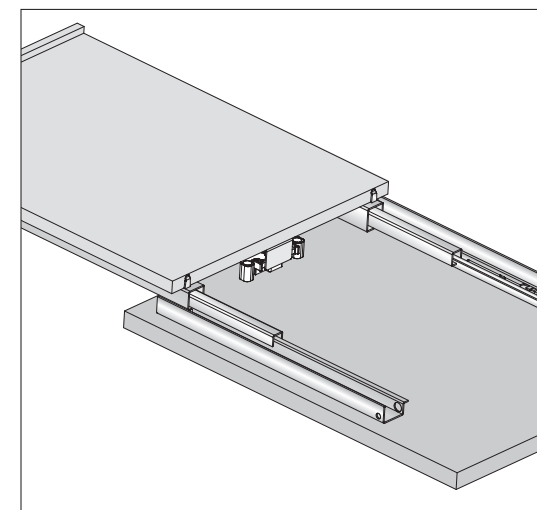
2) Fixing the magnet to the bottom. 将磁铁固定在底板上



1 B) Fixing the bracket to the shelf with the support for the rear hook.  
In this case, the bracket must be aligned to the support for the rear hook.  
层板尾部安装了后连接件: 固定支架, 使其与层板后连接件尾部对齐



3) The shelf is held at the maximum opening position.  
当层板开启至最大位置时, 具有磁力定位



Product  
Video



Installation  
PDF



Kitch (M) Sdn Bhd (566346-V)  
8, Jalan Industri PBP 5,  
Taman Perindustrian Pusat Bandar  
Puchong, 47100 Puchong, Selangor Darul  
Ehsan, Malaysia.  
Tel : +603 5882 5533 Fax: +603 5882 6267  
www.kitch.my