



MOVER FLAT VERTICAL SLIDING SYSTEM

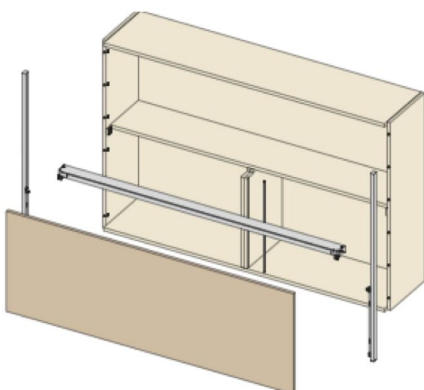
The simplicity and the elegance of a downward sliding door together with the functional performances of an innovative and versatile system.

Mover Flat creates concealable spaces on bookcases, office furniture, kitchen cabinets, and anywhere you want the convenience of a space that can be elegantly hidden behind a sliding panel.

The compactness of the mechanism, which moves on vertical runners, fits perfectly with applications, especially in restricted spaces, where the conventionally-opening doors would be unworkable.

The mechanism, with adjustable load capacity, can be used with doors heights from 480 to 628 mm and a width of 1200 mm. The movement on silent runners is smooth and perfectly controlled in any situation.

Mover Flat is a versatile and practical system, takes up a minimum of valuable storage space, and therefore it can be used in both small and large cabinets.



ITEM CODE: VE28MFL120018A1

DESCRIPTION:
MOVER FLAT VERTICAL SLIDING SYSTEM

SPECIFICATIONS:

- Door height from 480 to 628mm
- Door width 1200mm
- Cabinet side thickness 18mm only
- Height adjustment +/- 3mm

SET INCLUDES:

- Horizontal supporting profile
- Fixing supports for the profile
- Pair of runners
- Tie-rods & cams to fix the runners
- Hooks to mount door onto system

DOWNLOADS:



Product Page



Installation PDF



Product Video



KITCH

Please contact KITCH for more info

Email: info@kitch.com.my
Web: www.kitch.com.my