

# SALICE

## PIN - Installation



PIN video



PIN Installation Sheet



PIN Product Page

### Order Codes 订货型号

**D0B3LU300P Frame (Aluminium)**

**D0B3LU300T Frame (Titanium)**

**D0BPXXK Pin Wine (Aluminium)**

**D0BPXXT Pin Wine (Titanium)**

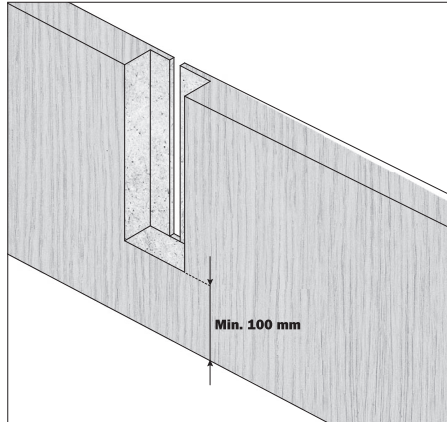
**D0CPXXK Pin Shelf (Aluminium)**

**D0CPXXT Pin Shelf (Titanium)**

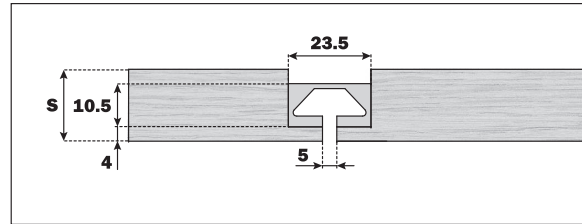
**D0HPXXK Pin Hang (Aluminium)**

**D0HPXXT Pin Hang (Titanium)**

### Recessed Mounting 嵌入式安装



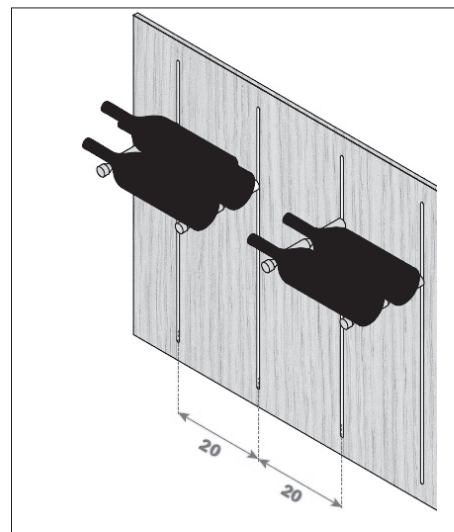
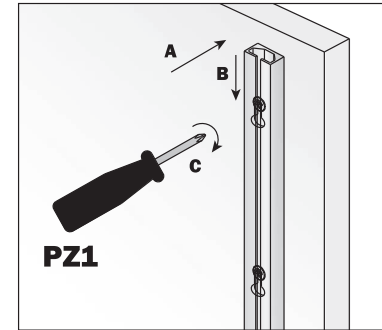
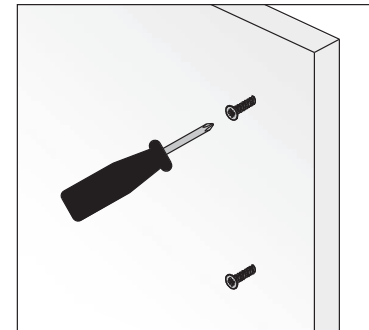
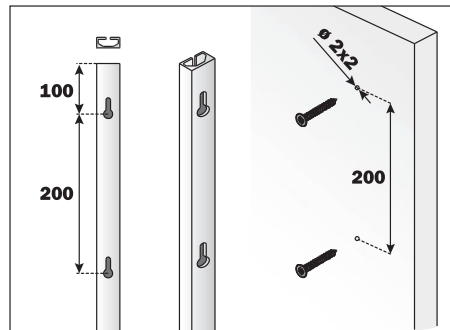
Minimum 100mm gap top and bottom  
顶部和底部至少100毫米间隙



Dimensions for machining the wood panel  
木板加工尺寸

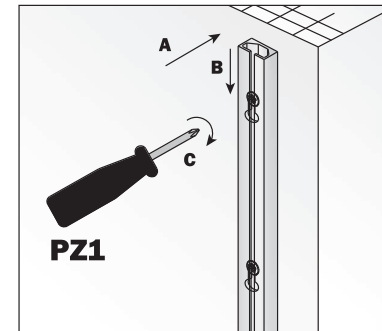
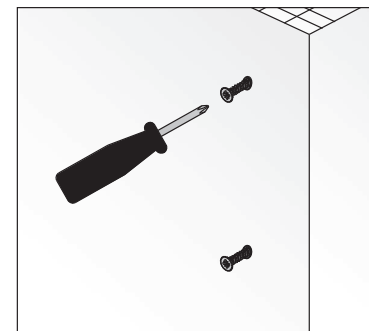
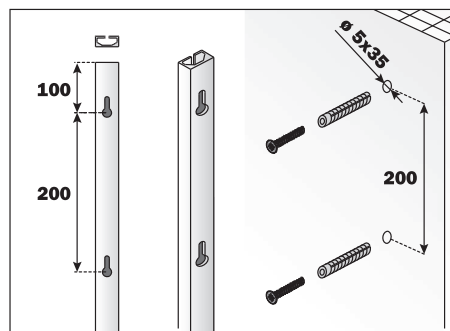
### Surface Mounting 表面贴安装

Drilling the wood panel to fix the surface-mounted profile. 木板钻孔以固定表面安装型材。



Railing distance 200mm  
栏杆距离 200毫米

Drilling the wall to fix the surface-mounted profile. 墙壁钻孔以固定表面安装型材。



All measurements are in millimeters  
所有测量值均以毫米为单位



**Kitch (M) Sdn Bhd** (566346-V)

No.8, Jalan Industri PBP 5, Taman Industri Pusat Bandar Puchong, 47100 Puchong, Selangor D.E. Tel: 603-5882 5533 Fax: 603-5882 6267 www.kitch.my