

FCA375W

Combined Refrigerator/Freezer 2 Doors, White



Plus :



Gross capacity: 375 litres

Reversible door

Right hinged

Refrigerator :

Net capacity : 241 litres

Adjustable thermostat

Automatic defrosting

3 adjustable glass shelves

1 fixed vegetable drawer shelf

1 transparent fruit and vegetable container

1 transparent drawer multibox

Internal light

Aeration multiflow system

Counter Door

1 bottle balcony

2 full length balcony

1 balcony with cover

1 egg dish

Freezer

Net capacity : 90 litres

3 drawers

1 ice box

Fast freezing function

Technical Data

Energy consumption : 383kWh/year

Rising time : 14 hr

Freezing power : 6kg/24hr

Climatic class : SN-T

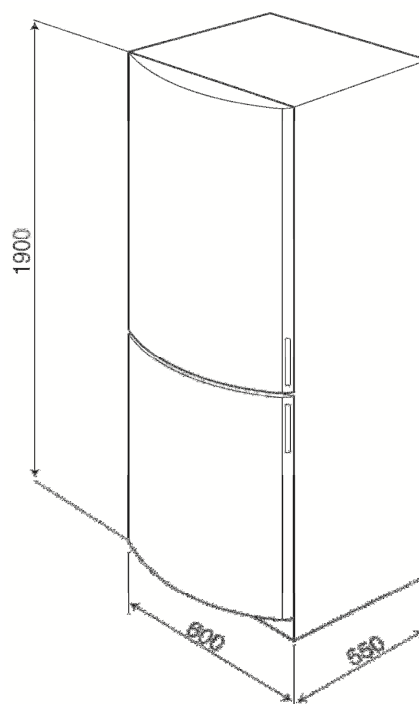
Noise level : 43dB(A)

Refrigerant gas : R134a

Nominal power : 160W

Voltage : 230V / 50Hz

Dimensions : HxWxD - 1900 x 600 x 550mm



Note :

Keep sufficient space (at least 10cm) between the fridge back and the wall. Top, left and right at least 5cm.

Warranty will be void if such requirement is not met.