

FAB10RO



SINGLE DOOR REFRIGERATOR, FREE STANDING
RIGHT HAND HINGE, ORANGE
50'S STYLE

PLUS :



REFRIGERATOR :

Storage volume fresh food compartment : 101 litres
2 adjustable glass shelves
Interior light
Glass shelf to cover fruit and vegetables container
1 fruit and vegetable drawer

INNERDOOR FRIDGE :

1 balcony shelf with transparent cover
1 bottle balcony

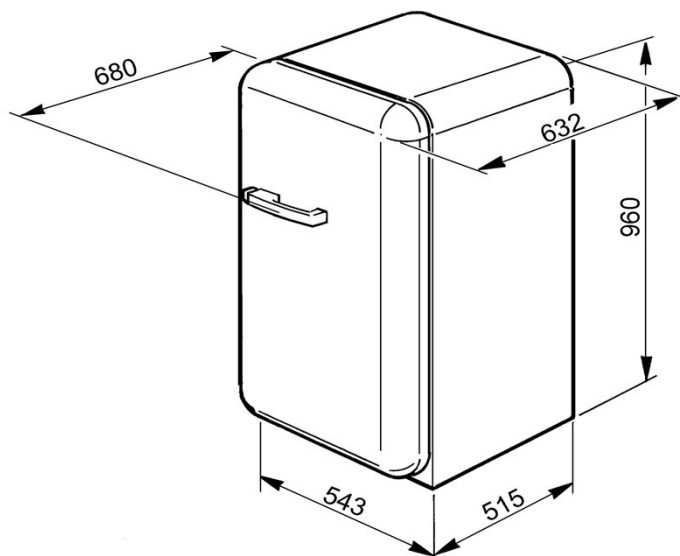
FREEZER :

Storage frozen food compartment : 13 litres
Freezer compartment accessories : ice tray

Annual energy consumption : 164 kWh/ annum
Climate class : SN
Noise level : 37 dB re 1 pw
Freezing capacity : 2 kgs / 24h
Thaw time : 10 h

Voltage : 220-240 V
Frequency : 50 Hz
13amp power supply required

Accessories : Bottle holder, Egg holder



When positioning these appliances adjacent to a wall or kitchen unit a gap of 175mm must be left on the hinged side of the product to allow the door to open.