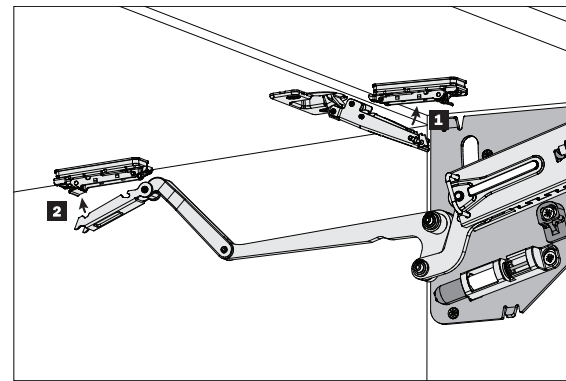
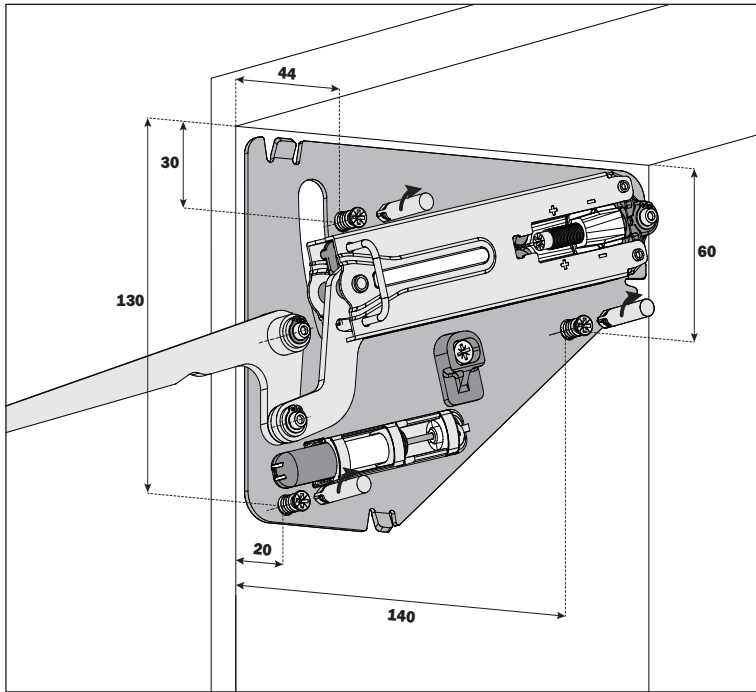
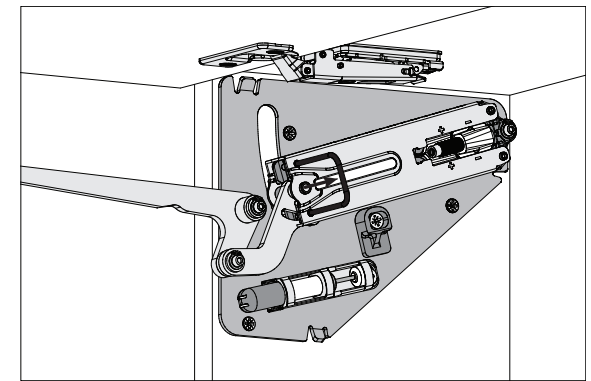


SALICE

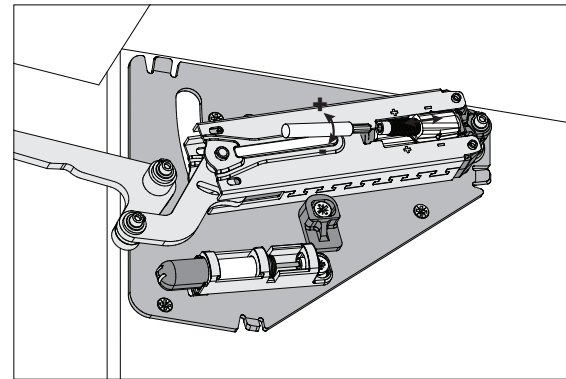
EVOLIFT FLAP (水平上翻门) - ASSEMBLY (安装指南)



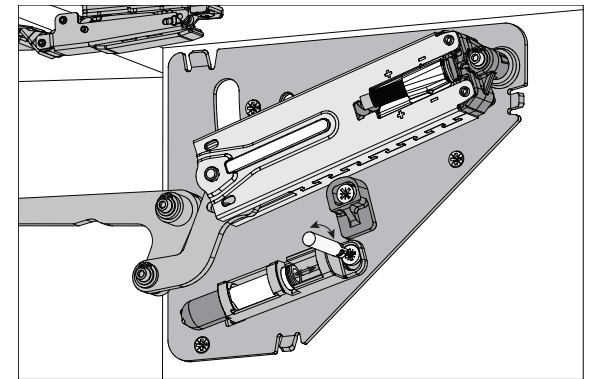
Fitting the door to the cabinet
将门板安装至柜体



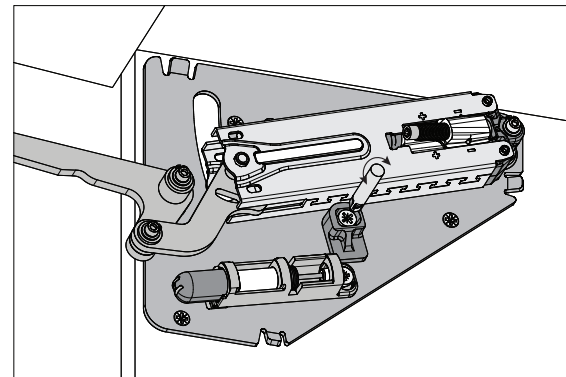
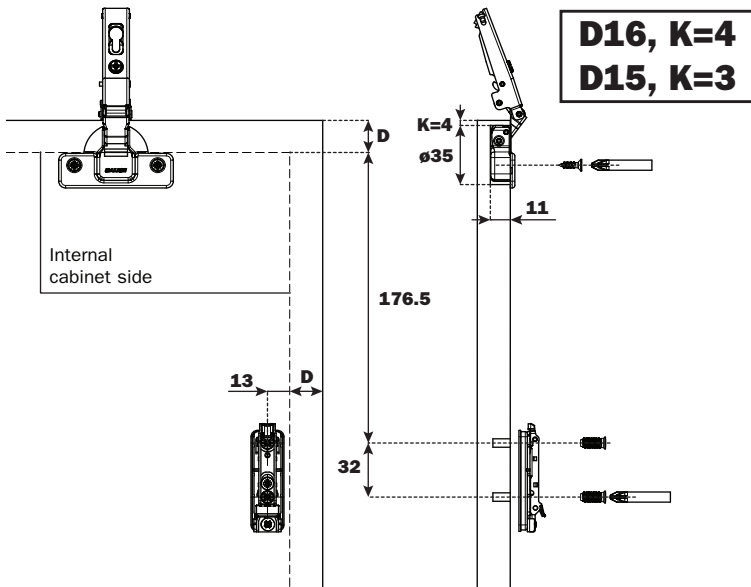
Close door slightly and withdraw safety clip
轻轻向下关闭门板，以便移除安全卡扣



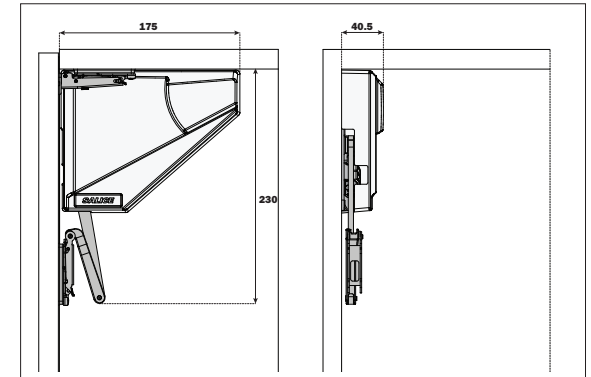
Adjustment of the system strength
调节支撑力度 (使用T20内六角梅花螺丝刀调节)



Adjustment of the decelerating effect
调节阻尼效果



Adjustment of the system strength
调节门板开启角度，通过凸轮调节
(调节范围 80 度至 92 度)



Installation
Video



Installation
PDF



Kitch (M) Sdn Bhd (566346-V)
8, Jalan Industri PBP 5,
Taman Perindustrian Pusat Bandar
Puchong, 47100 Puchong, Selangor Darul
Ehsan, Malaysia.
Tel : +603 5882 5533 Fax: +603 5882 6267
www.kitch.my