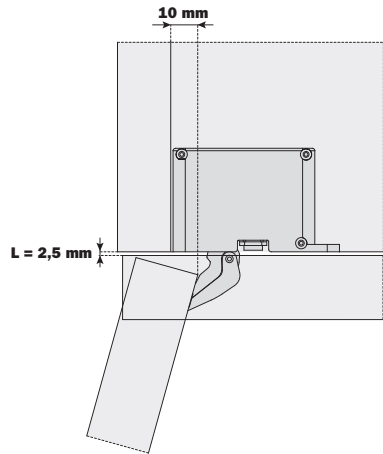
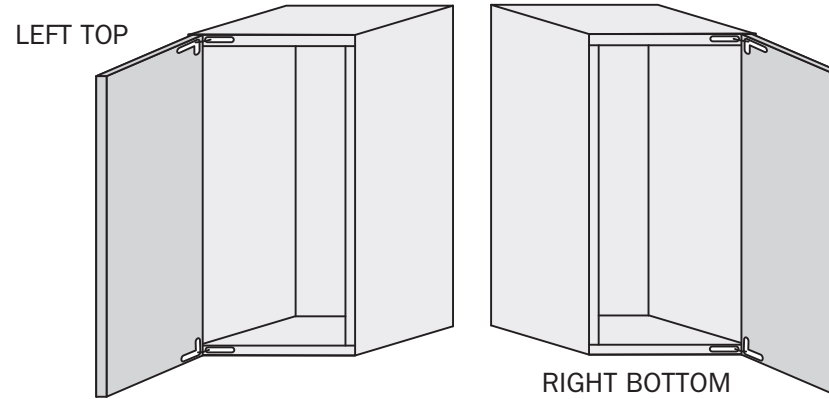
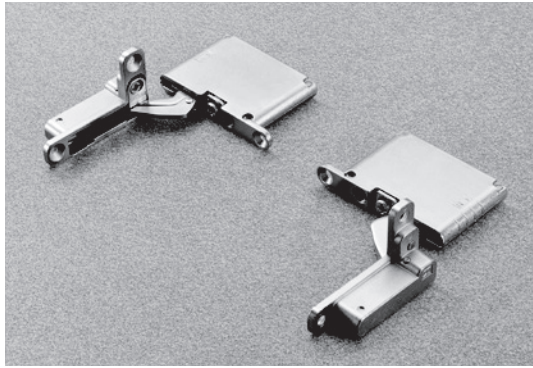


# AIR Fully Concealed Corner Hinge (纯隐藏铰链) - ASSEMBLY (安装指南) **SALICE**

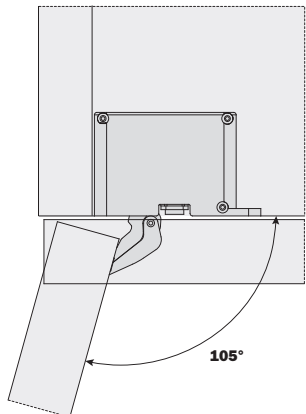


## Technical features

- Air hinges, with integrated soft close mechanism or Push self-opening system, are small and compact.
- They are fitted to the top and bottom panel of the cabinet.
- For min. 18 mm thick wooden doors and for aluminium-framed doors.
- Max. door weight 20 Kg. Max. dimensions of the door : height 2100 mm, width 600 mm. 16.5 mm deep metal cup.
- L = 2.5 mm; 105° opening.
- Possible drilling distance on the door (K): from 3 to 6 mm for wooden doors.
- Fixed K = 4 mm for aluminium-framed doors.

## 技术信息

- 天地铰链，内置集成阻尼或者自推弹系统，体积小紧凑。
- 安装于柜体的顶板和底板。
- 适用于18毫米木板以及铝框门。
- 门重最大20公斤。门最大尺寸：高度2100毫米，宽度600毫米。金属杯深16.5毫米。
- L=2.5毫米；105度开启角度
- 门板钻孔距离（K）值：木门从3到6毫米。
- 固定K值=铝框门为4毫米



Product  
Video



Installation  
Video



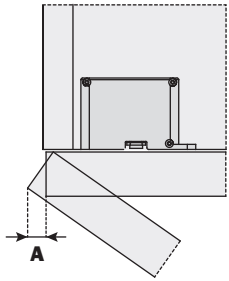
Installation  
PDF



**Kitch (M) Sdn Bhd** (566346-V)  
8, Jalan Industri PBP 5,  
Taman Perindustrian Pusat Bandar  
Puchong, 47100 Puchong, Selangor Darul  
Ehsan, Malaysia.  
Tel : +603 5882 5533 Fax: +603 5882 6267  
[www.kitch.my](http://www.kitch.my)

# AIR Fully Concealed Corner Hinge (纯隐藏铰链) - ASSEMBLY (安装指南) **SALICE**

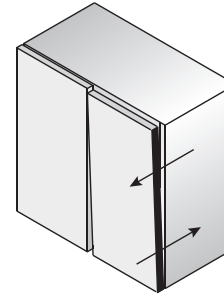
## Space needed to open the door (门开启所需空间)



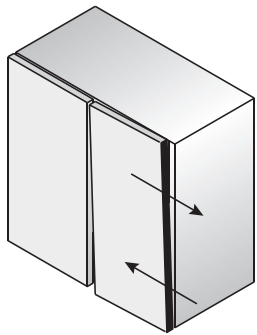
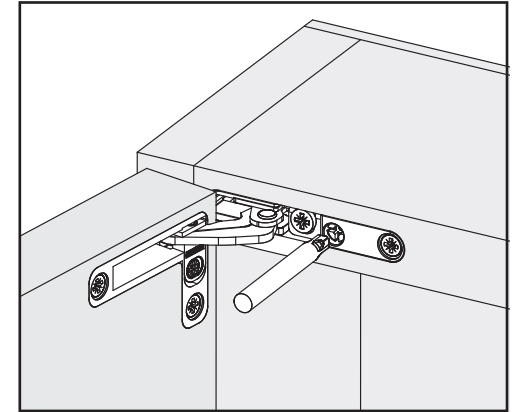
T=	18	20	22	24	26	28	30	32
K=3 <b>A=</b>	0	0.2	0.5	0.8	2.3	4.9	7.5	10.0
K=4 <b>A=</b>	0	0.2	0.4	0.8	1.3	3.9	6.5	9.0
K=5 <b>A=</b>	0	0.2	0.4	0.8	1.3	2.9	5.5	8.0
K=6 <b>A=</b>	0	0.2	0.4	0.8	1.2	1.9	4.5	7.0

The above values are calculated on the assumption that the doors have square edges. They are reduced if the doors have radiused edges.

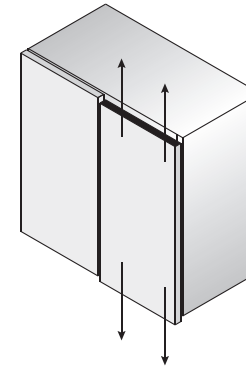
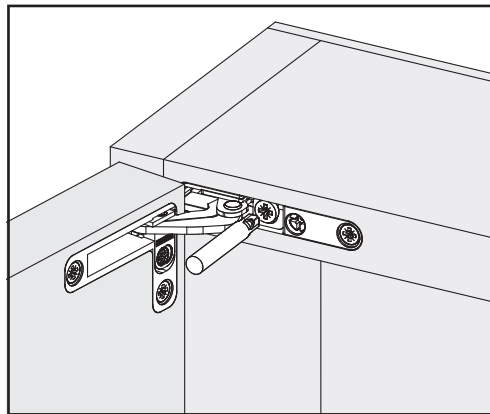
以上数值基于门板为直角封边。如果门板边缘为倒角，那么数值相应减少。



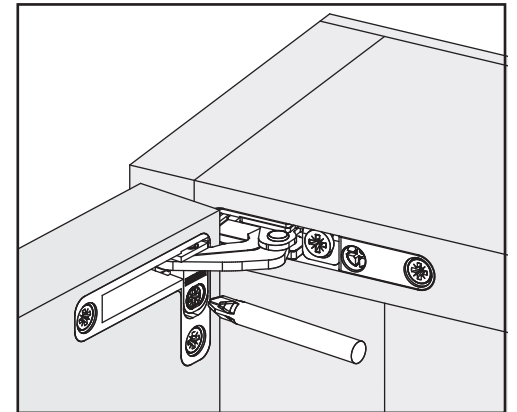
Depth adjustment  
from +2 to -0.5  
深度调整从+2到-0.5



Sideways adjustment  
from +2 to -2  
侧向调整从+2到-2



Height adjustment  
from +1.5 to -1.5  
高度调整从+1.5到-1.5



Product  
Video



Installation  
Video

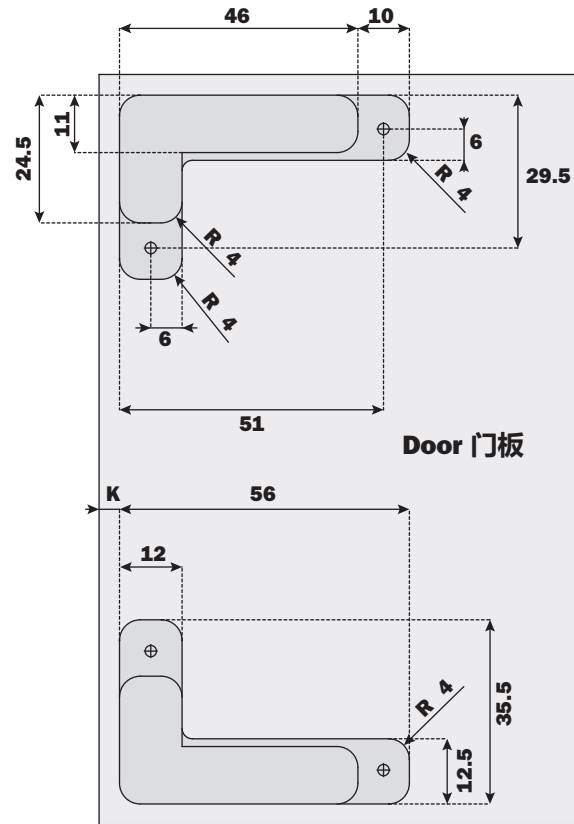
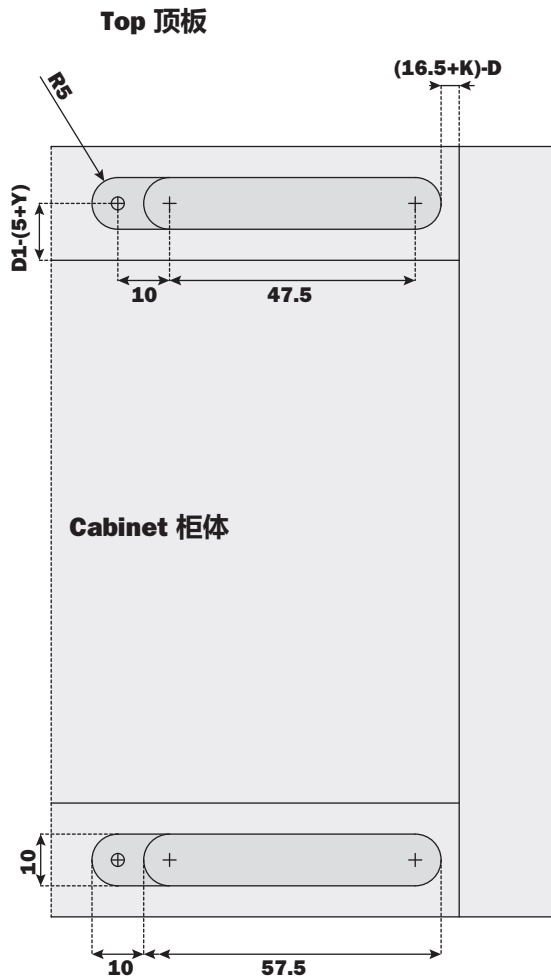


Installation  
PDF

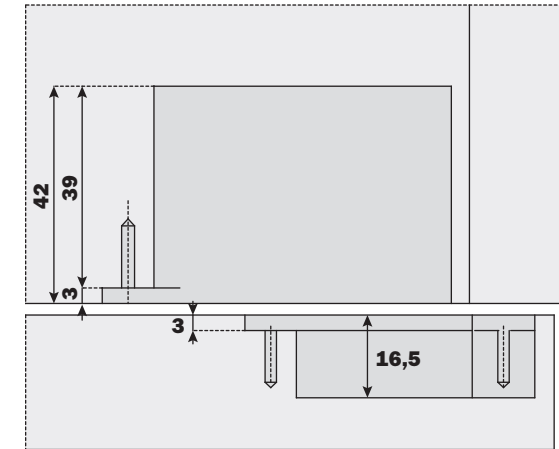


Kitch (M) Sdn Bhd (566346-V)  
8, Jalan Industri PBP 5,  
Taman Perindustrian Pusat Bandar  
Puchong, 47100 Puchong, Selangor Darul  
Ehsan, Malaysia.  
Tel : +603 5882 5533 Fax: +603 5882 6267  
www.kitch.my

# AIR Fully Concealed Corner Hinge (纯隐藏铰链) - ASSEMBLY (安装指南) **SALICE**



**Bottom panel 底板**



Lorem ipsum



Product  
Video



Installation  
Video

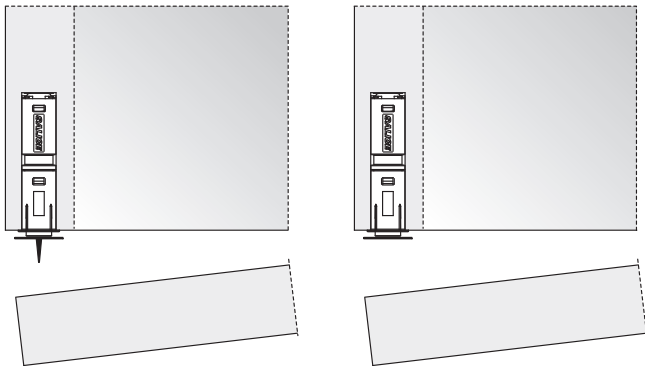
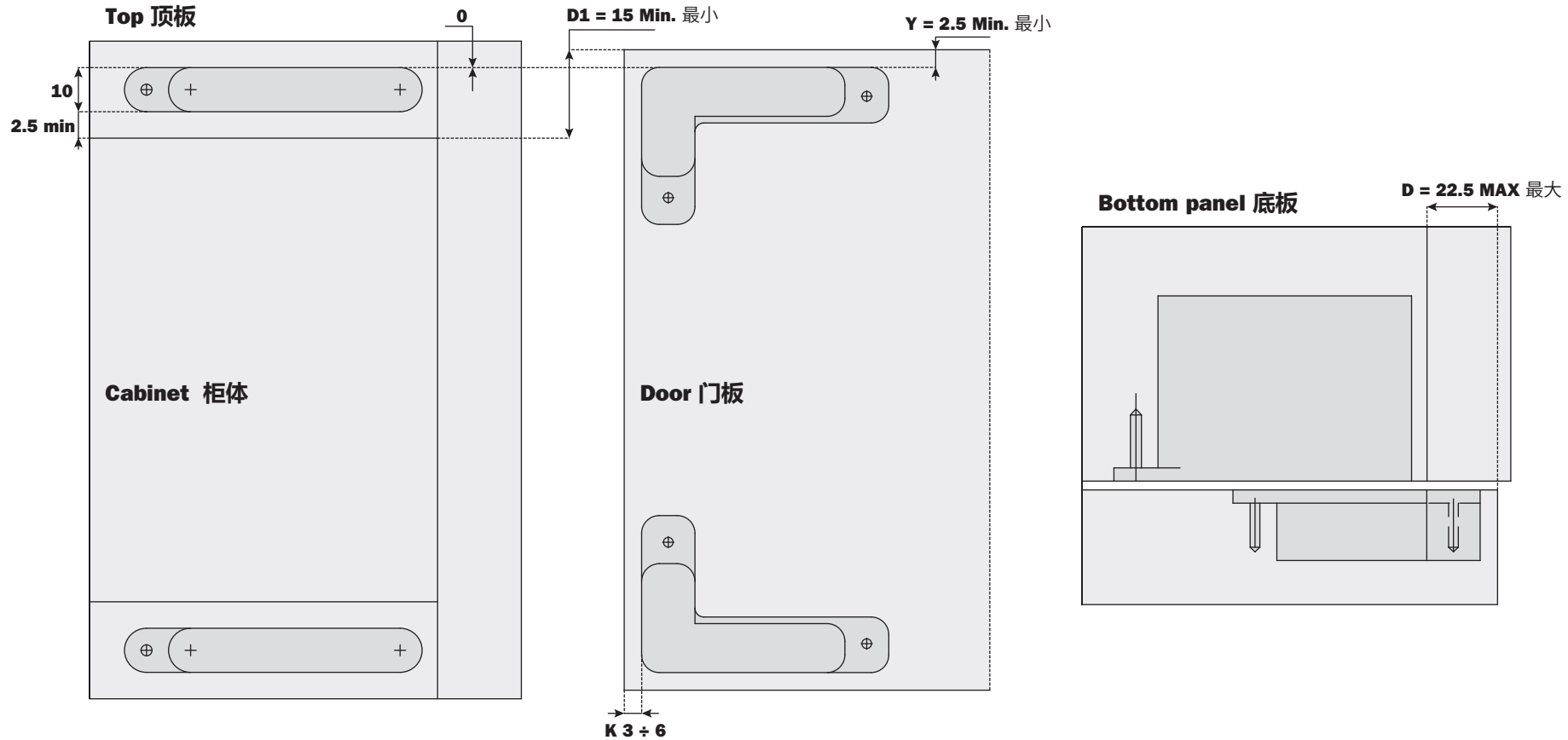


Installation  
PDF



**Kitch (M) Sdn Bhd** (566346-V)  
 8, Jalan Industri PBP 5,  
 Taman Perindustrian Pusat Bandar  
 Puchong, 47100 Puchong, Selangor Darul  
 Ehsan, Malaysia.  
 Tel : +603 5882 5533 Fax: +603 5882 6267  
[www.kitch.my](http://www.kitch.my)

# AIR Fully Concealed Corner Hinge (纯隐藏铰链) - ASSEMBLY (安装指南) **SALICE**



## 插入式安装制动挡块

将制动挡块放在磁性脱口装置上。

关上门。

制动挡块点回显示插入的位置。

再次打开门，用力压紧制动挡块。

## Pin-fix retaining catch

Apply the retaining catch to the magnetic release device.

Close the door.

The point of the retaining catch will show where to insert it.

Reopen the door and drive in the pin to fix in position.

